

CONNECTING & INSULATION ELEMENTS

HOSE CONNECTOR FOR LIGHT/MEDIUM WEIGHT HOSES

Hose Connector

Material

- Galvanized sheet metal

Applications

- Extension, coupling and connection of light to medium weight hoses

Properties

- Rust-resistant
- Lightweight
- Easy to install

Standard Production

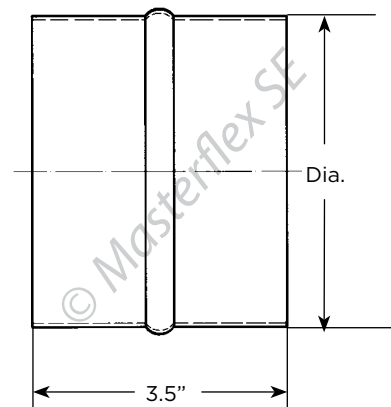
- Galvanized steel

Available on Request

- Special diameters
- Stainless steel



Dia (in.)	Gauge	Length (in.)	Product Code
3"	24	3.5"	630-050-100
to 20"			to 630-900-100



Masterduct, Inc.
5235 Ted Street
Houston, TX 77040 USA
Tel. +1 713 462-5779
Tel. +1 800 318-3300
Fax +1 713 939-8441
www.Masterduct.com

 **MASTERDUCT**
Connecting Values

070915 item_63 Hose Connector