

MEDIUM/HIGH TEMPERATURE HOSE FOR TEMPERATURES UP TO +570°F

Master-Clip ISO-SILICONE

Material

Hose wall: Two-layer construction, inner layer heat resistant impregnated glass fabric, outer layer silicone-coated glass fabric

External helix: galvanized steel

Applications

- Machine manufacturing
- Automotive manufacturing
- Low pressure applications
- Defense systems
- Aircraft manufacturing
- Engine manufacturing
- Hot and cold air conveyance
- Extractor units with greater suction performance

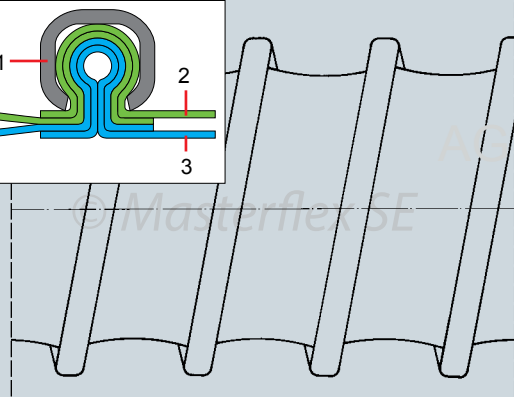
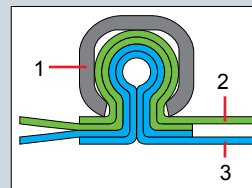
Properties

- Flame-resistant
- Very high temperature resistance
- Highly flexible
- Super lightweight
- Compressibility 1:4
- Small bend radius
- Good vacuum resistance
- Vibration-resistant
- External steel helix protects against abrasion
- Special clamping method guarantees high tensile strength between hose material and external helix
- To maximize life of duct and exhaust system effectiveness, it is recommended to utilize a negative pressure exhaust system and introduce ambient air at the inlet.



Construction

1. External helix
2. Outer wall: silicone-coated glass fabric
3. Inner wall: heat resistant impregnated glass fabric



Temperature Range

- -75°F up to +570°F
- Intermittent to +625°F

Chem. Resistance

- See resistance table

*Hoses used for vehicle exhaust extraction should be used within a properly designed, negative pressure fan system to avoid damaging the hose. Please consult your local vehicle exhaust representative for more details.

Master-Clip ISO-SILICONE

Dia (in.)	Positive (in. w.c.)	Negative (in. w.c.)	*Bending radius (in.)	Weight (lbs./ft.)	Product Code
2.50	237	76	1.56	0.3355	224-063-116
3.00	189	56	1.80	0.6978	224-075-116
3.50	143	40	2.16	0.7783	224-090-116
4.00	121	32	2.40	0.7783	224-100-116
4.50	104	26	2.64	0.8756	224-115-116
5.00	84	20	3.00	0.9729	224-125-116
5.50	70	16	3.36	1.0700	224-140-116
6.00	63	14	3.60	1.2950	224-150-116
6.40	56	12	3.84	1.2648	224-160-116
7.00	49	10	4.20	1.3084	224-175-116
8.00	40	8	4.80	1.5996	224-200-116
9.00	33	6	6.32	1.9750	224-225-116
10.00	28	5	7.00	2.3672	224-250-116
11.00	24	4	7.72	2.5642	224-275-116
12.00	21	4	8.40	2.7618	224-300-116
13.00	18	3	9.12	3.5509	224-325-116
14.00	16	3	9.80	3.8468	224-350-116
15.00	14	2	10.52	4.4386	224-375-116
16.00	13	2	11.20	5.0304	224-400-116
18.00	11	2	14.40	5.7209	224-450-116
20.00	9	1	16.00	6.3127	224-500-116
22.00	8	1	17.60	7.3977	224-550-116
24.00	7	1	19.20	8.4827	224-600-116
28.00	6	1	22.40	9.6670	224-700-116
32.00	4	1	25.60	10.8750	224-800-116
36.00	4	1	28.80	12.2650	224-900-116

*Referring to the inner side of the elbow of hose.

The above mentioned data refers to an average and ambient temperature of 68° F. Subject to technical changes and color variations. Please refer to technical data sheet when selecting hose.

Standard Production

- Diameter: 2.5" to 36"
- Color: silver
- Standard lengths: 25'

Available on Request

- Special lengths
- Custom design with other pitches and helix sizes
- External helix also in stainless steel
- Special diameters metric

Installation and connection possibilities



Clip-Grip hose clamp, screwable



Hose connector



Hose reducer, symmetrical

Masterduct, Inc.
5235 Ted Street
Houston, TX 77040 USA
Tel. +1 713 462-5779
Tel. +1 800 318-3300
Fax +1 713 939-8441
www.Masterduct.com

 **MASTERDUCT**
Connecting Values