

SPECIALTY HOSES

LOOSE LINED HOSE

Master-Clip Loose Lined Hose

Material

Hose wall: two-layered Master-Clip special hose with internal overlapping construction of fabrics, which are resistant to abrasion and/or temperature, and an external material from the standard Master-Clip hose range

External helix: hot-dip galvanized steel band

Applications

- Applications in which the internal lining construction protects the external hose-coating from abrasion or collects condensed water
- Vehicle exhaust systems
- Welding fume extraction with a high level of sparks
- Electrical screening technology
- Bulk handling technology

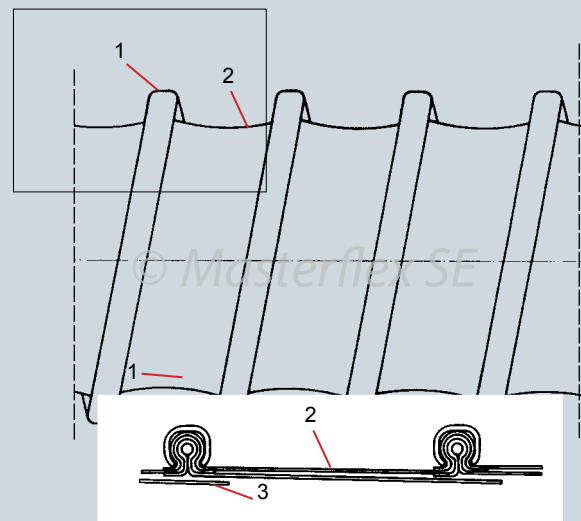
Properties

- Highly flexible
- Extremely compressible
- Small bend radius
- External steel helix protects against abrasion
- Special clamping method guarantees high tensile strength between hose material and external helix



Construction

1. External helix
2. Hose wall
3. Internal lining construction



Temperature Range*

- -435°F up to +20°F

*Hoses used for vehicle exhaust extraction, or operating near maximum temperature, should be used within a properly designed negative pressure fan system to avoid damaging the hose. Please consult your local representative for more details.

Master-Clip Loose Lined Hose

Dia (in.)	Outer Dia (in.)	Negative (in. w.c.)	*Bending radius (in.)	Weight (lbs./ft.)	Product Code
4.0	Technical data dependent on hose combinations used.				270-100-xxx
4.4					270-110-xxx
4.8					270-120-xxx
5.0					270-125-xxx
5.2					270-130-xxx
5.6					270-140-xxx
6.0					270-150-xxx
6.4					270-160-xxx
6.8					270-170-xxx
7.0					270-175-xxx
7.2					270-180-xxx
8.0					270-200-xxx
8.6					270-215-xxx
9.0					270-225-xxx
10.0					270-250-xxx
11.0					270-275-xxx
12.0					270-300-xxx
12.6					270-315-xxx
13.0					270-325-xxx
14.0					270-350-xxx
15.0					270-375-xxx
16.0					270-400-xxx
18.0					270-450-xxx
20.0					270-500-xxx
22.0					270-550-xxx
24.0					270-600-xxx
28.0					270-700-xxx
32.0					270-800-xxx
36.0					270-900-xxx

*Referring to the inner side of the elbow of hose.

The above mentioned data refers to an average and ambient temperature of 68° F. Subject to technical changes and color variations. Please refer to technical data sheet when selecting hose. Product code determined by hose material construction.

Standard Production

- Diameter: 4" to 36"
- Standard lengths: 25'

Available on Request

- Dependent on combination hose. Refer to the specific product spec sheet.

Installation and connection possibilities



Clip-Grip hose clamp



hose connector



hose reducer, symmetrical

Masterduct, Inc.
 5235 Ted Street
 Houston, TX 77040 USA
 Tel. +1 713 462-5779
 Tel. +1 800 318-3300
 Fax +1 713 939-8441
 www.Masterduct.com

 **MASTERDUCT**
 Connecting Values