

# SUCTION AND BLOWER HOSE FOR AIR-CONDITIONING/VENTILATION

## Master-Clip PE

### Material

Hose wall: double-sided PE-coated PE fabric  
Spiral: galvanized steel

### Applications

- Air-conditioning/ventilation systems
- Extractor units
- Air supply and extraction
- Vacuum devices for asbestos removal
- Suction plants
- Low pressure applications

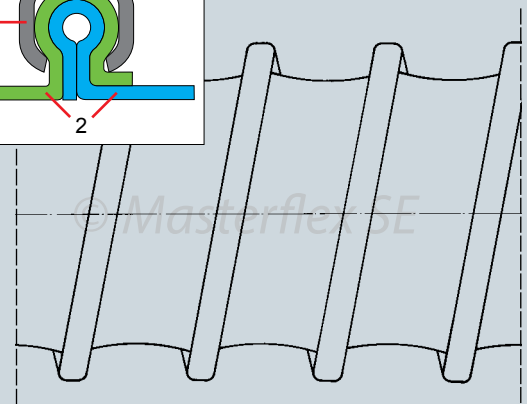
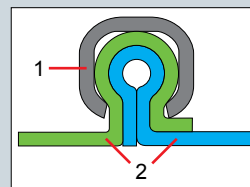
### Properties

- Good resistance to mechanical damage
- Increased vacuum characteristics
- Extra strength
- Extremely lightweight
- Highly flexible
- Extreme compressibility 1:6
- Small bend radius
- Higher temperature resistance than PVC-hoses
- Environmentally friendly alternative to PVC
- Halogen/plasticizer-free
- External steel helix protects against abrasion



### Construction

1. External helix
2. Hose wall: double-sided PE-coated PE fabric



### Temperature Range

- -40°F to +185°F
- Intermittent to +260°F

### Chem. Resistance

See resistance table

# Master-Clip PE

Dia (in.)	Positive (in. w.c.)	Negative (in. w.c.)	*Bending radius (in.)	Weight (lbs./ft.)	Product Code
2.50	273	111	1.56	0.3355	213-060-103
3.00	249	71	1.80	0.3355	213-075-103
3.50	225	49	2.16	0.4026	213-090-103
4.00	205	40	2.40	0.4026	213-100-103
4.50	193	33	2.64	0.4026	213-115-103
5.00	133	26	3.00	0.4697	213-125-103
5.50	100	20	3.36	0.4697	213-140-103
6.00	88	18	3.60	0.5368	213-150-103
6.40	84	16	3.84	0.5368	213-160-103
7.00	74	13	4.20	0.6039	213-175-103
8.00	59	10	4.80	0.6710	213-200-103
9.00	46	8	6.32	0.7381	213-225-103
10.00	40	6	7.00	0.8723	213-250-103
11.00	32	5	7.72	0.9394	213-275-103
12.00	28	4	8.40	1.0065	213-300-103
13.00	24	4	9.12	1.1407	213-325-103
14.00	23	3	9.80	1.2749	213-350-103
15.00	20	3	10.52	1.4762	213-375-103
16.00	19	3	11.20	1.6104	213-400-103
18.00	18	2	14.40	1.8117	213-450-103
20.00	17	2	16.00	2.0801	213-500-103
22.00	17	1	17.60	2.3485	213-550-103
24.00	16	1	19.20	2.6169	213-600-103
28.00	12	1	22.40	3.0195	213-700-103
32.00	9	1	25.60	3.4892	213-800-103
36.00	6	1	28.80	4.0260	213-900-103

\*Referring to the inner side of the elbow of hose.

The above mentioned data refers to an average and ambient temperature of 68o F. Subject to technical changes and color variations. Please refer to technical data sheet when selecting hose.

## Standard Production

- Diameter: 2.5" to 36"
- Color: transparent
- Standard lengths: 25'

## Available on Request

- Other colors
- Special lengths
- Custom design with other pitches and helix sizes
- Stainless steel external helix
- Special diameters metric

## Installation and connection possibilities



Clip-Grip hose clamp, screwable



Hose connector



Hose reducer, symmetrical

Masterduct, Inc.  
 5235 Ted Street  
 Houston, TX 77040 USA  
 Tel. +1 713 462-5779  
 Tel. +1 800 318-3300  
 Fax +1 713 939-8441  
 www.Masterduct.com