

SUCTION AND BLOWER HOSE FOR VENTILATION

Master-Clip PUR

Material

Hose wall: ultra high molecular weight polyurethane
Spiral: galvanized steel

Applications

- Air-conditioning/ventilation systems
- Extraction of abrasive media
- Grass collectors and lawn mowers
- Light material handling
- Dust collection
- Chemical vapors
- Low pressure applications

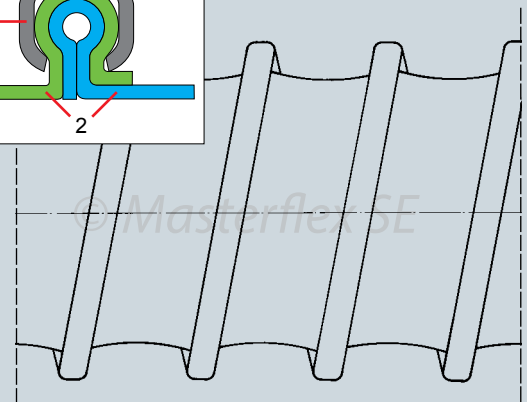
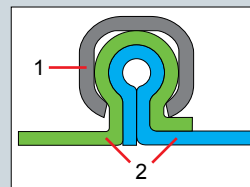
Properties

- Highly abrasion-resistant
- Good resistance to mechanical damage
- Good resistance to oil and gas vapors
- Improved vacuum characteristics
- Highly resilient
- Resistant to aging
- Resistant to low temperatures
- Highly flexible
- Extreme compressibility 1:6
- Small bend radius
- External steel helix protects against abrasion
- Environmentally sound alternative to PVC
- Much higher temperature rating than PVC-hoses
- Special clamping method guarantees high tensile strength between hose material and external helix



Construction

1. External helix
2. Wall thickness between spirals .0118"



Temperature Range

- -40°F to +195°F

Chem. Resistance

See resistance table

Master-Clip PUR

Dia (in.)	Positive (in. w.c.)	Negative (in. w.c.)	*Bending radius (in.)	Weight (lbs./ft.)	Product Code
3.00	141	40	1.80	0.4026	214-075-101
3.50	104	32	2.16	0.4026	214-090-101
4.00	92	27	2.40	0.4026	214-100-101
4.50	80	23	2.64	0.4026	214-115-101
5.00	68	20	3.00	0.4697	214-125-101
5.60	56	18	3.36	0.5368	214-140-101
6.00	54	18	3.60	0.5368	214-150-101
6.40	52	16	3.84	0.6039	214-160-101
7.00	44	13	4.20	0.6710	214-175-101
8.00	40	10	4.80	0.7381	214-200-101
9.00	32	8	6.32	0.8723	214-225-101
10.00	30	6	7.00	0.9394	214-250-101
11.00	28	5	7.72	1.1407	214-275-101
12.00	24	4	8.40	1.2749	214-300-101
13.00	21	4	9.12	1.4091	214-325-101
14.00	20	3	9.80	1.5433	214-350-101
15.00	16	3	10.52	1.8117	214-375-101
16.00	12	3	11.20	1.9459	214-400-101
18.00	11	2	14.40	2.3485	214-450-101
20.00	10	2	16.00	2.6169	214-500-101
22.00	10	1	17.60	2.9524	214-550-101
24.00	9	1	19.20	3.2879	214-600-101
28.00	8	1	22.40	3.8918	214-700-101
32.00	6	1	25.60	4.4957	214-800-101
36.00	4	1	28.80	5.0996	214-900-101

*Referring to the inner side of the elbow of hose.
The above mentioned data refers to an average and ambient temperature of 68° F. Subject to technical changes and color variations. Please refer to technical data sheet when selecting hose.

Standard Production

- Diameter: 3" to 36"
- Color: transparent
- Standard lengths: 25'

Available on Request

- Special lengths
- Stainless steel external helix
- Special diameters metric

Installation and connection possibilities



Clip-Grip hose clamp, screwable



Hose clamp with worm-gear drive



Car-Grip hose clamp, screwable



Hose connector



Hose reducer, symmetrical

Masterduct, Inc.
5235 Ted Street
Houston, TX 77040 USA
Tel. +1 713 462-5779
Tel. +1 800 318-3300
Fax +1 713 939-8441
www.Masterduct.com