

MEDIUM/HIGH TEMPERATURE HOSE FOR TEMPERATURES UP TO +2010°F

Master-Clip HT 2010

Material

Hose wall: Three-layer construction, asbestos-free, high-temperature fabrics, special coated with heat-stabilizers
External helix: Stainless steel

Applications

- Extremely high temperatures
- Exhaust fume extraction from large engines and high performance test beds in the motor vehicle industries
- Extraction under stray sparks
- Shipbuilding industry
- Vehicle and engine construction
- Diesel exhaust
- Suction plants
- Aircraft and defense industries
- Extraction of aircraft engine fumes
- Furnace construction
- Iron and steel works
- General engineering
- Radiant heat protection
- Low pressure applications

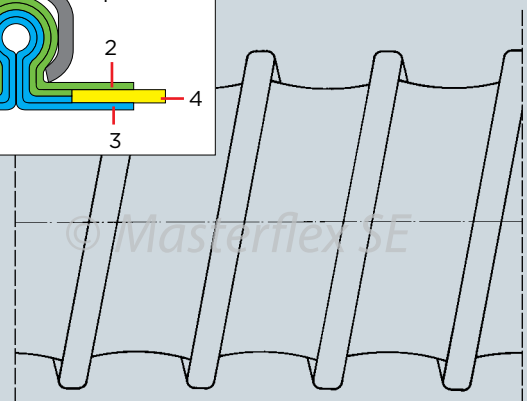
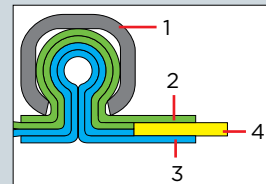
Properties

- Flame-resistant
- Very high temperature resistance
- Silicone-free
- Flexible
- Compressibility 1:2
- Small bend radius
- External steel helix protects against abrasion
- Special clamping method guarantees high tensile strength between hose material and external helix
- To maximize life of duct and exhaust system effectiveness, it is recommended to utilize a negative pressure exhaust system and introduce ambient air at the inlet.



Construction

1. External helix
2. Outer layer: special coated high temperature fabric with heat stabilizers
3. Inner layer: Fine stainless steel mesh
4. Middle layer: Special insulating fabric



Temperature Range

- -75°F up to +2010°F
- Intermittent to +2370°F
- Small amounts of smoke maybe given off when used under positive pressure or with low extraction rates.

Master-Clip HT 2010

Dia (in.)	Positive (in. w.c.)	Negative (in. w.c.)	*Bending radius (in.)	Weight (lbs./ft.)	Product Code
3.00	201	122	1.80	1.00	230-075-119
3.50	161	100	2.16	1.14	230-090-119
4.00	141	81	2.40	1.29	230-100-119
4.50	121	67	2.64	1.45	230-115-119
5.00	109	50	3.00	1.60	230-125-119
5.50	79	42	3.36	1.77	230-140-119
6.00	69	37	3.60	1.93	230-150-119
6.40	64	32	3.84	2.09	230-160-119
7.00	59	27	4.20	2.24	230-175-119
8.00	49	20	4.80	2.57	230-200-119
9.00	42	17	6.32	2.89	230-225-119
10.00	39	14	7.00	3.20	230-250-119
11.00	37	11	7.72	INQ	230-275-119
12.00	33	9	8.40	3.85	230-300-119
13.00	25	8	9.12	INQ	230-325-119
14.00	20	7	9.80	4.49	230-350-119
15.00	16	6	10.52	INQ	230-375-119
16.00	16	6	11.20	5.25	230-400-119
18.00	12	4	14.40	6.15	230-450-119
20.00	11	4	16.00	7.19	230-500-119
22.00	10	3	17.60	INQ	230-550-119
24.00	8	2	19.20	8.40	230-600-119
28.00	6	2	22.40	9.83	230-700-119
32.00	5	2	25.60	11.50	230-800-119
36.00	4	1	28.80	13.50	230-900-119

*Referring to the inner side of the elbow of hose.

The above mentioned data refers to an average and ambient temperature of 68° F. Subject to technical changes and color variations. Please refer to technical data sheet when selecting hose.

Standard Production

- Diameter: 3" to 36"
- Color: Red
- Standard lengths: 25'

Available on Request

- Special lengths
- Special diameters metric

Installation and connection possibilities



Car-Grip hose clamp, screwable



Hose connector



Hose reducer, symmetrical

Masterduct, Inc.
 5235 Ted Street
 Houston, TX 77040
 USA
 Tel. +1 713 462-5779
 Tel. +1 800 318-3300
 Fax +1 713 939-8441
 www.masterduct.com